



MARK AND BRAND APPLICATION

THE EFFECTIVE DATE OF THIS APPLICATION IS AUGUST 31, 2021 TO AUGUST 30, 2031
Renewal of this Brand/Mark must be filed during the period August 31, 2021, to February 28, 2022
This form is to be used to record a single brand or mark for one or more locations on an animal.

Please print or type information (* Required information):

The undersigned hereby makes application for the registration and recording of the following mark(s) and/or brand(s) by the County Clerk of Hidalgo County, Texas:


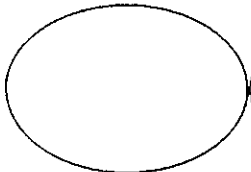
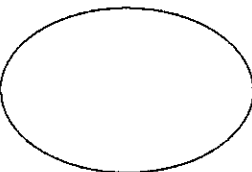
* New: Renewal: Release: Transfer:

Contact Information:

* Owner/Agent: Robert Guerrero
Ranch/Business Name: _____
* Address: 1404 Blue Rock Rd.
* City: Mission * State: TX * Zip: 78573
Phone: 956-279-3676 Email: _____

Brand/Mark Information:

* Specie: Cattle: Horse: Other: _____ Ear Marks Only:
Volume/Book: _____ Page: _____ Cert#: 23

BRAND	MARK	
Draw the Brand	Right Ear	Left Ear
		

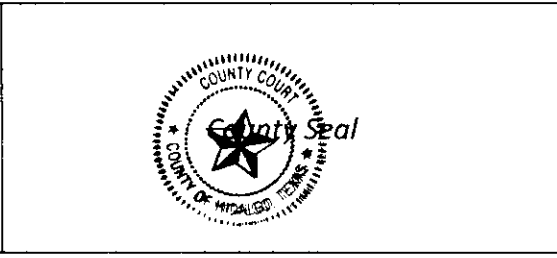
* Brand Location on Animal: Left Right All Locations Shoulder Side/Rib Flank Hip/Loin Thigh Jaw/Face/Nose Tail/Back
Electronic Chip#: _____
Tattoos: _____

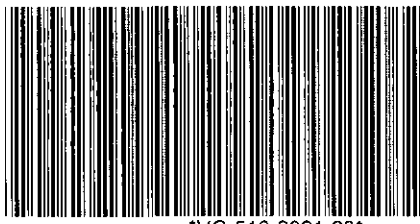
* Brand Description: RGJ stacked vertical

* Signature of Applicant: Robert Guerrero *Date: 9/03/2021
(Owner/Agent)

By: Arturo Guajardo, Jr. Deputy, Arturo Guajardo, Jr. County Clerk
(Deputy's Name) (County Clerk's Name)

Pursuant to Texas Agriculture Code 144.041, a copy of this application shall be forwarded to Texas and Southwestern Cattle Raisers Association.
Email: brands@tscra.org
Fax: 817-887-4402
Mail: PO Box 101988, Fort Worth, TX 76185
Phone: 800-242-7820





VG-516-2021-23

Hidalgo County
Arturo Guajardo Jr.
County Clerk
Edinburg, Texas 78540

Document No: 23

Billable Pages: 1

Recorded On: September 03, 2021 01:49 PM

Number of Pages: 2

*****Examined and Charged as Follows*****

Total Recording: \$ 26.00

*****THIS PAGE IS PART OF THE DOCUMENT*****

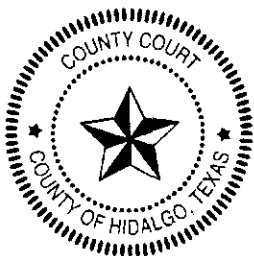
Any provision herein which restricts the Sale, Rental, or use of the described REAL PROPERTY because of color or race is invalid and unenforceable under federal law.

File Information:

Document No: 23
Receipt No: 20210903000320
Recorded On: September 03, 2021 01:49 PM
Deputy Clerk: Rita Gonzalez
Station: CH-1-CC-K05

Record and Return To:

Robert Guerrero



STATE OF TEXAS
COUNTY OF HIDALGO

I hereby certify that this Instrument was FILED in the File Number sequence on the date/time printed hereon, and was duly RECORDED in the Official Records of Hidalgo County, Texas.

Arturo Guajardo Jr.
County Clerk
Hidalgo County, Texas