

MARK AND BRAND APPLICATION

THE EFFECTIVE DATE OF THIS APPLICATION IS AUGUST 31, 2021 TO AUGUST 30, 2031
Renewal of this Brand/Mark must be filed during the period August 31, 2021, to February 28, 2022
This form is to be used to record a single brand or mark for one or more locations on an animal.

Please print or type information (* Required information):

The undersigned hereby makes application for the registration and recording of the following mark(s) and/or brand(s) by the County Clerk of * Hidalgo County, Texas:

* New: Renewal: Release: Transfer:

Contact Information:

* Owner/Agent: Fritz Linney

Ranch/Business Name: Maverick Cattle Co., LLC

* Address: Po Box 1456


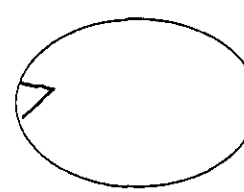
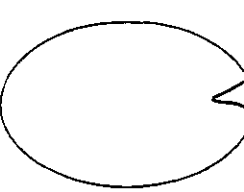
* City: George West * State: _____ * Zip: 78022

Phone: 956-244-6030 Email: linney16@yahoo.com

Brand/Mark Information:

* Specie: Cattle: Horse: Other: _____ Ear Marks Only:

Volume/Book: _____ Page: _____ Cert#: 81

BRAND		MARK	
Draw the Brand		Right Ear	Left Ear
			

* Brand Location on Animal: Left Right All Locations Shoulder Side/Rib Flank Hip/Loin Thigh Jaw/Face/Nose Tail/Back Electronic Chip#: _____ Tattoos: _____


* Brand Description: VL (VFL)

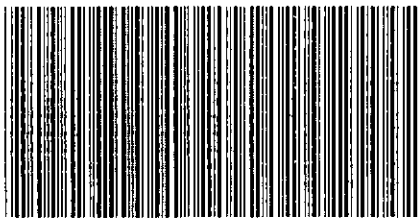
* Signature of Applicant: Fritz Linney *Date: 9/22/21
(Owner/Agent)

By: Jessie K. Keller Deputy, Arturo Guajardo Jr. County Clerk
(Deputy's Name) (County Clerk's Name)

Pursuant to Texas Agriculture Code 144.041, a copy of this application shall be forwarded to Texas and Southwestern Cattle Raisers Association.

Email: brands@tscra.org
Fax: 817-887-4402
Mail: PO Box 101988, Fort Worth, TX 76185
Phone: 800-242-7820





VG-516-2021-81

Hidalgo County
Arturo Guajardo Jr.
County Clerk
Edinburg, Texas 78540

Document No: 81

Billable Pages: 1

Recorded On: September 27, 2021 02:39 PM

Number of Pages: 2

*****Examined and Charged as Follows*****

Total Recording: \$ 26.00

*****THIS PAGE IS PART OF THE DOCUMENT*****

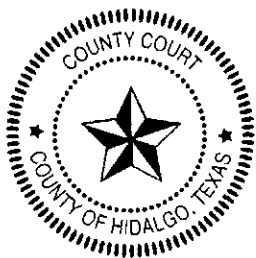
Any provision herein which restricts the Sale, Rental, or use of the described REAL PROPERTY because of color or race is invalid and unenforceable under federal law.

File Information:

Document No: 81
Receipt No: 20210927000339
Recorded On: September 27, 2021 02:39 PM
Deputy Clerk: Debbie Keller
Station: CH-1-CC-K03

Record and Return To:

Fritz Linney



STATE OF TEXAS
COUNTY OF HIDALGO

I hereby certify that this Instrument was FILED in the File Number sequence on the date/time printed hereon, and was duly RECORDED in the Official Records of Hidalgo County, Texas.

Arturo Guajardo Jr.
County Clerk
Hidalgo County, Texas