



MARK AND BRAND APPLICATION

THE EFFECTIVE DATE OF THIS APPLICATION IS AUGUST 31, 2021 TO AUGUST 30, 2031
Renewal of this Brand/Mark must be filed during the period August 31, 2021, to February 28, 2022
This form is to be used to record a single brand or mark for one or more locations on an animal.

Please print or type information (* Required information):

The undersigned hereby makes application for the registration and recording of the following mark(s) and/or brand(s) by the County Clerk of Hidalgo County, Texas:

* New: Renewal: Release: Transfer:

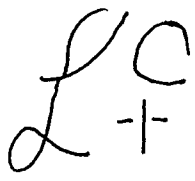
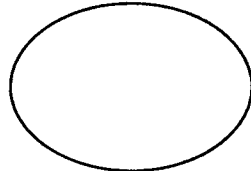
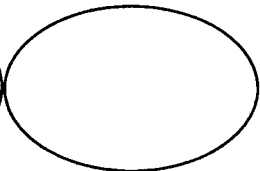
Contact Information:

* Owner/Agent: Florentino and Mayra Vela
Ranch/Business Name: Las Cuestas Ranch
* Address: 1702 Cary st
* City: Weslco * State: Tx * Zip: 78599
Phone: 956-647-7105 Email: tvela@sescfleet.com

Brand/Mark Information:

* Specie: Cattle: Horse: Other: _____ Ear Marks Only:

Volume/Book: _____ Page: _____ Cert#: 222

BRAND	MARK	
Draw the Brand	Right Ear	Left Ear
		

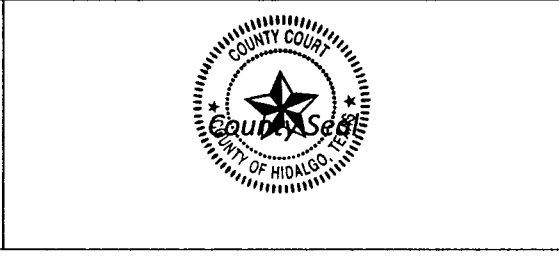
* Brand Location on Animal: Left Right
 All Locations Shoulder Side/Rib Flank
 Hip/Loin Thigh Jaw/Face/Nose Tail/Back
Electronic Chip#: _____ Tattoos: _____

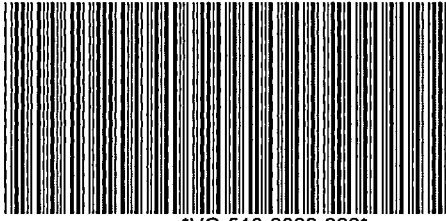
* Brand Description: L, C over plus sign

* Signature of Applicant: [Signature] TSCRA# 1707608
(Owner/Agent) *Date: 5/9/2022

By: [Signature] Deputy, ARTURO GUAJARDO, JR. County Clerk
(Deputy's Name) (County Clerk's Name)

Pursuant to Texas Agriculture Code 144.041, a copy of this application shall be forwarded to Texas and Southwestern Cattle Raisers Association.
Email: brands@tskra.org
Fax: 817-887-4402
Mail: PO Box 101988, Fort Worth, TX 76185
Phone: 800-242-7820





VG-516-2022-222

Hidalgo County
Arturo Guajardo Jr.
County Clerk
Edinburg, Texas 78540

Document No: 222

Billable Pages: 1

Recorded On: May 16, 2022 02:35 PM

Number of Pages: 2

*****Examined and Charged as Follows*****

Total Recording: \$ 26.00

*****THIS PAGE IS PART OF THE DOCUMENT*****

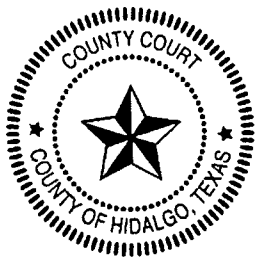
Any provision herein which restricts the Sale, Rental, or use of the described REAL PROPERTY because of color or race is invalid and unenforceable under federal law.

File Information:

Document No: 222
Receipt No: 20220516000348
Recorded On: May 16, 2022 02:35 PM
Deputy Clerk: Sandra Rivera
Station: CH-1-CC-K04

Record and Return To:

Florentino Vela



STATE OF TEXAS
COUNTY OF HIDALGO

I hereby certify that this Instrument was FILED in the File Number sequence on the date/time printed hereon, and was duly RECORDED in the Official Records of Hidalgo County, Texas.

Arturo Guajardo Jr.
County Clerk
Hidalgo County, Texas